

Code ED12GSA – 60cm Freestanding Dishwasher



AQUASAFE SYSTEM

The aquasafe system is a safety valve system which prevents water leaks from your dishwasher. In the case of your inlet hose leaking, the aquasafe system will automatically cut off the running water.

12 PLACE SETTINGS

The 12-place settings option this dishwasher provides results in greater flexibility in what types of dishes and cutlery that can be washed.

RAPID WASH FUNCTION

The rapid wash program is perfect for a light load of dishes which are required to be washed in a shorter amount of time.

DIGITAL FUNCTION SELECTOR

This model Euro dishwasher operates via a full electronic control by PC board. You can select your preferred function by using the digital function selector on the top right of the front panel.

Features

- + 7 wash programs with 3 in 1 function
- + Full electronic control by PC board
- + 12 place settings
- + Half load & Rapid wash option
- + Overflow protection
- + 2.5 star energy rating / 4 star water rating
- + Water Consumption 12L
- + Twin sliding cutlery baskets
- + Concealed Heating Element
- + Aquasafe System
- + Quick height adjustable upper basket

WARRANTY: 2 YEARS

OVERFLOW PROTECTION

The dishwasher will detect if the water amount is above the normal level and will automatically shut off the dishwasher to prevent flooding.

HALF LOAD FUNCTION

This function is ideal when small amounts of dishes need cleaning. Load only the top basket and the "half load" option will use half the water and half the energy, saving you time and money.

7 WASH PROGRAMS WITH 3 IN 1 FUNCTION

The ED12GSA dishwasher provides you with the choice of 7 different wash programs to ensure you can select the type of wash which best suits whether it be after a small meal or large dinner party. The 3 in 1 program does not need salt and rinse aid but which uses a 3 in 1 tablet.

Energy rating: Water rating:

WATER CONNECTION:

Cold or Hot Water connector.

NET WEIGHT: 42.0kg

GROSS WEIGHT: 48.0kg

CAPACITY: 12 Place Settings

NOISE LEVEL: 49 Decibel Rating

INSTALLATION: For all installation please refer qualified technician to our product manual.

INLET HOSE: 1.9m long

DRAIN HOSE: 1.4m long

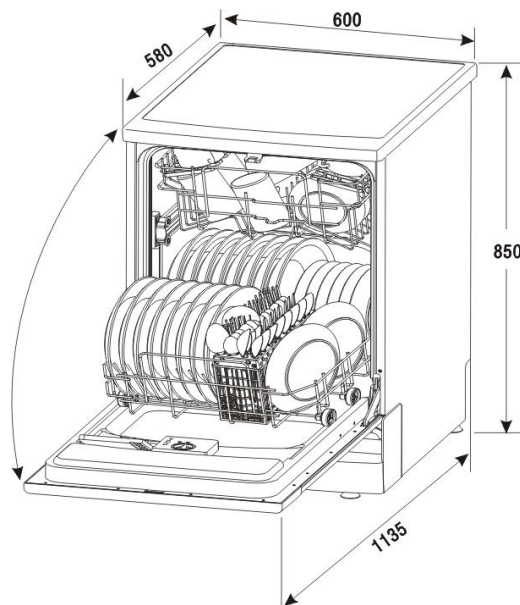
POWER CORD: 2.0m long

CLEANING AND MAINTENANCE

Easy clean **AAA** grade stainless steel interior.

Clean stainless steel using only recommended stainless steel cleaning products. No abrasives, corrosive detergents, bleaches or acids not required for cleaning the dishwasher.

PRODUCT DIMENSIONS



Dishwashers



bringing the best of European quality to your home

