

Code ES600MSX – 60cm Electric Multifunction Oven



FEATURES:

- + 7 multi-functions
 - + Oven Light
 - + Conventional
 - + Thermowave Fan Assisted
 - + Fan & Bottom Element
 - + Fan Forced
 - + Half Grill
 - + Fan Grill
- + Telescopic rail (x1 set)
- + Triple glazed easy removable door
- + Full inner glass door
- + Contained cavity cooling
- + 120 minute cut off timer
- + Manufactured in finger proof 18/10 grade stainless steel
- + Under-bench or wall oven installation
- + Made in Italy

CONVENTIONAL

This conventional cooking method involves a gentle heat from the lower and upper elements for long slow cooking. This function is perfect for cakes, casseroles and slow roasts.

HALF GRILL

Half grilling allows you to toast/brown all your favourite recipes in a smaller area.

THERMOWAVE FAN ASSISTED

This is the position where the heat is coming from the lower and upper heating elements. This provides very even cooking throughout the middle zones of the oven.

OVEN LIGHT

The oven light will automatically turn on once any function is selected, helps to monitor the progress of your cooking.



FAN FORCED COOKING

For the ultimate roast or perfect batch of pastries. The element surrounding the fan delivers even heat for even cooking results, approx. 160°C - 180°C is recommended



FAN GRILL

This function is perfect for grilling foods such as fish, without the need for turning. The door must be left closed whilst grilling and browning will occur from the top element.



FAN AND BOTTOM ELEMENT

Great for pizza cooking, the fan and bottom element create the perfect cooking function for base cooked food.

POWER CONSUMPTION:

240V / 50HZ - 2400W

NET WEIGHT: 33.0kg

GROSS WEIGHT: 37.0kg

OVEN VOLUME CAPACITY: 74L Gross / 66L net useable

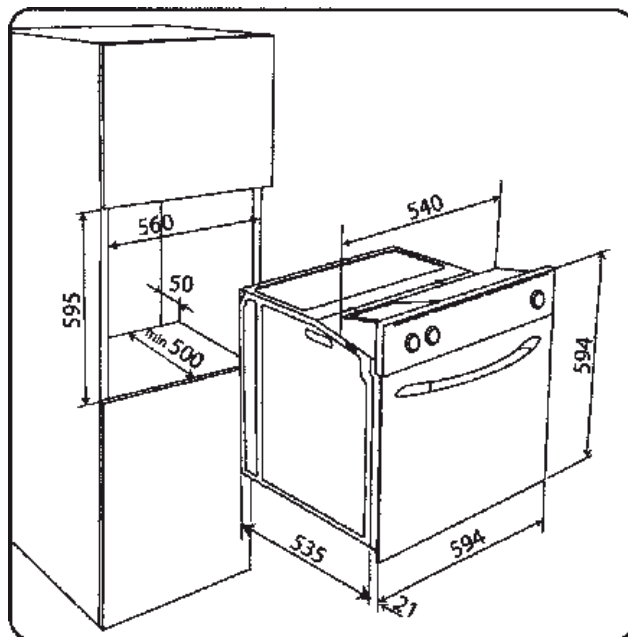
INSTALLATION: Oven requires 15 amps and need a dedicated circuit from the socket to the main switchboard.

For all installation please refer qualified technician to our product manual.

CLEANING AND MAINTENANCE

Easy clean **AAA** grade enamel interior. Clean stainless steel using only recommended stainless steel cleaning products. No abrasives, corrosive detergents, bleaches or acids not required for cleaning the oven.

PRODUCT DIMENSIONS



Ovens



bringing the best of European quality to your home