

METHVEN MAKU



Innovators in Water



Pictured: MAKU Basin Mixer

MAKU

Pure elegance with a modern slant

An evolution of classic minimalist style tapware, Maku features fine lines and balanced proportions in a distinctive compact design. Simple forms blend together seamlessly to create pure elegance with a modern slant. Maku's timeless design is a stylish addition to any contemporary bathroom space.





MAKU Basin Mixer

01-8505



MAKU Sink Mixer

01-8628



MAKU Shower Mixer

01-8567



MAKU Shower Mixer With Diverter

01-8581



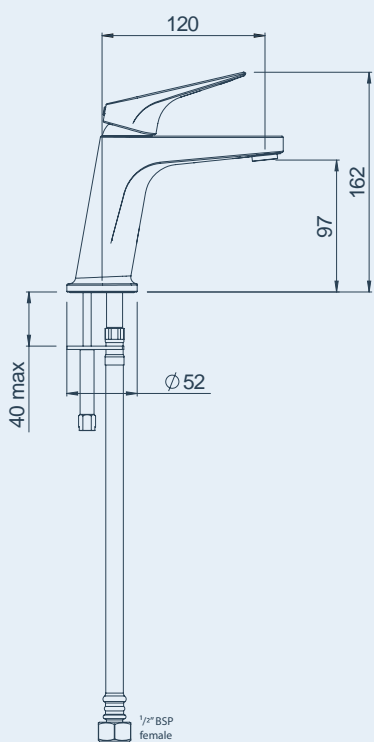
MAKU Wall Top Assembly

01-8840

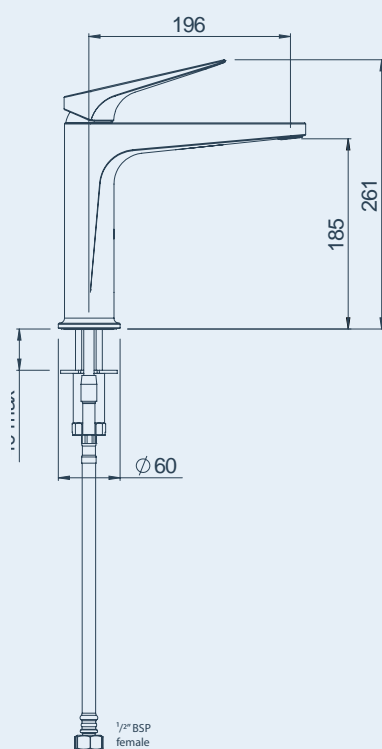


MAKU Wall Mounted Bath Spout

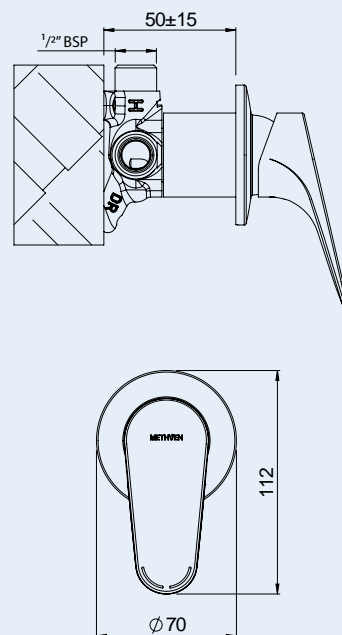
01-8765



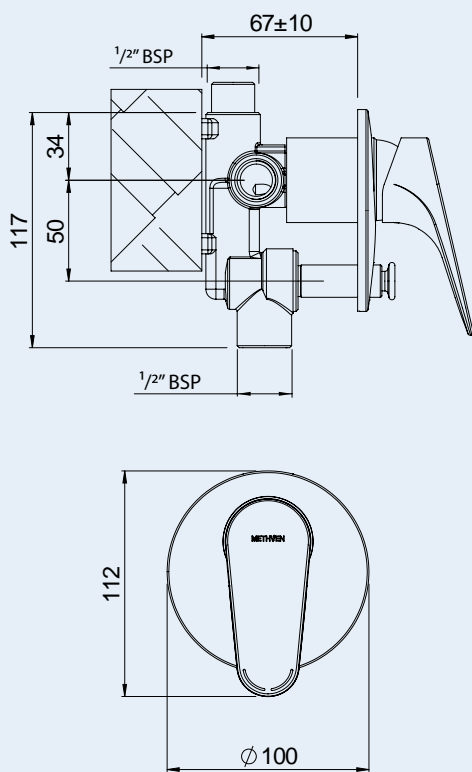
MAKU BASIN MIXER
01-8505



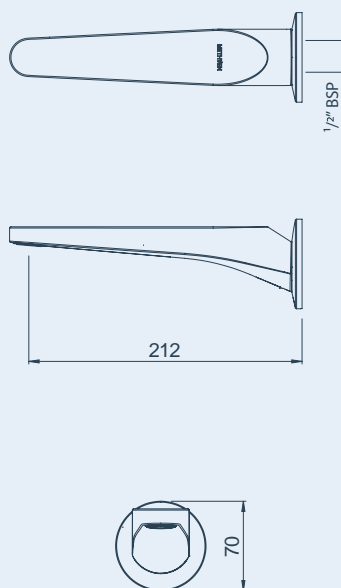
MAKU SINK MIXER
01-8628



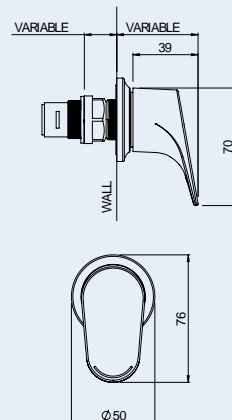
MAKU SHOWER MIXER
01-8567



MAKU SHOWER MIXER WITH DIVERTER
01-8581



MAKU WALL MOUNTED BATH SPOUT
01-8765
MAKU WALL MOUNTED BASIN SPOUT
01-8789



MAKU WALL TOP ASSEMBLY
01-8840

*All technical drawings in millimetres

QUICK REFERENCE

PRODUCT TECHNICAL GUIDE

CODE	EVENFLO™ TECHNOLOGY	ADJUSTABLE STREAM DIRECTION AERATOR	TEMPERATURE AND FLOW ADJUSTABLE CARTRIDGE	1/4 TURN CERAMIC DISC TECHNOLOGY	MAINS PRESSURE INSTALLATIONS	25MM CERAMIC DISC CARTRIDGE	35MM CERAMIC DISC CARTRIDGE	CONTRA ROTATING HANDLES	BRASS CONSTRUCTION	WELS RATING WATER FLOW RATE MAINS PRESSURE L/MIN
------	---------------------	-------------------------------------	---	----------------------------------	------------------------------	-----------------------------	-----------------------------	-------------------------	--------------------	--

WAIPORI TAPWARE										
MAKU BASIN MIXER	01-8505		●			●	●		●	4 STAR/7.5 L/MIN
MAKU SHOWER MIXER (METAL PLATE)	01-8567	●		●		●		●	●	NOT REQUIRED
MAKU SHOWER MIXER WITH DIVERTER (METAL PLATE)	01-8581	●		●		●		●	●	NOT REQUIRED
MAKU SWIVEL SINK MIXER	01-8628		●			●		●	●	4 STAR/7.5 L/MIN
MAKU WALL TOP ASSEMBLY	01-8840				●	●		●	●	NOT REQUIRED
MAKU WALL MOUNTED BASIN SPOUT (PUSH FIT)	01-8789		●		●	●			●	4 STAR/7.5 L/MIN
MAKU WALL MOUNTED BATH SPOUT (PUSH FIT)	01-8765		●			●			●	NOT REQUIRED

EVENFLO™ TECHNOLOGY

Protect the shower experience



Evenflo™ Technology

LOOK FOR MIXERS MARKED WITH THIS SYMBOL

Evenflo creates a balanced, controlled and consistent water flow delivery, preventing fluctuations in temperature and pressure at the outlet in which it is installed. As a result, any number of taps can be turned on or off making no difference to the shower temperature or pressure. The range of handle movement allowed by Evenflo technology also ensures a more precise temperature transition from cold to hot.

TECHNICAL FEATURES EXPLAINED

	EVENFLO™ TECHNOLOGY	Evenflo™ Technology prevents the fluctuation of temperature and pressures at the point of installation caused by other outlets being used at the same time.
	ADJUSTABLE STREAM DIRECTION AERATOR	This aerator can be adjusted 7 degrees in any direction from vertical with a push of a finger, therefore, easily control and customise the stream direction to minimise splashing.
	TEMPERATURE AND FLOW ADJUSTABLE CARTRIDGE	Allows the user to set the maximum temperature and flow desired. An excellent safety feature and regulates water usage.
	1/4 TURN CERAMIC DISC TECHNOLOGY	A small turn of the handle allows flow to be adjusted from zero to full flow and vice versa.
	WELS RATINGS	Methven rates all of its showers and tapware according to the Water Efficiency Labelling Scheme (WELS). Methven tapware is 4 and 6 star WELS rated. Please note that shower mixers, spouts and any other accessories do not require a WELS rating.



WARRANTY

We are committed to the highest standards of achievement and quality on all areas of design, manufacture and customer service. Our comprehensive Lifetime Shower Replacement Guarantee and 15 Year Tapware Parts and Labour Guarantee provide total peace of mind. Please see the Methven website for full terms and conditions.

www.methven.com

METHVEN

Methven Australia Pty Ltd

Showroom and Head Office

16 Gipps Street

Collingwood Victoria 3066

Customer Care Hotline

1300 METHVEN (638 483)

Customer Care Fax

1300 638 484

A.B.N. 15 104 813 390

© METHVEN AUSTRALIA PTY LTD 2013

Please note: While every effort has been made to ensure that the details in this brochure were correct at the time of publication, Methven reserves the right to alter specifications and product from that shown or delete models from their range without prior notification. The manufacturer/distributor takes no responsibility for publication errors.

For detailed technical and warranty information, please see our website for details.