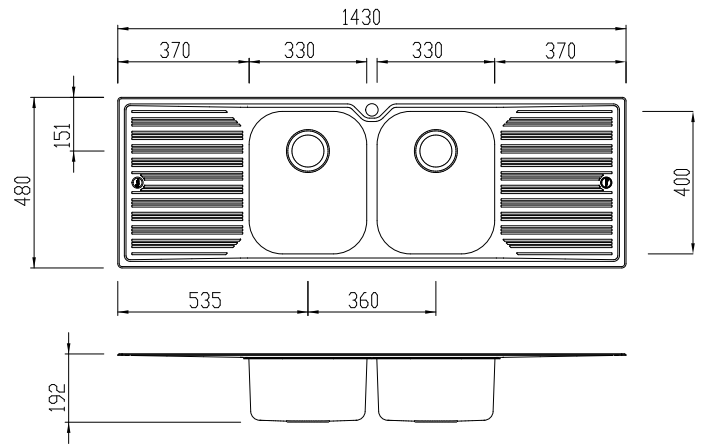


# DZ153

## Diaz

Oliveri®



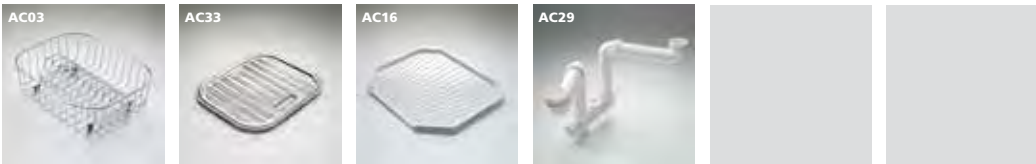
### INCLUDED ACCESSORIES



### RECOMMENDED TAPWARE



### OPTIONAL ACCESSORIES



### SPECIFICATIONS

#### Description

Double bowl inset sink with double drainer

#### Sink Size

1430W x 480H

#### Main Bowl

330W x 400H x 180D / 21L

#### Main Bowl

330W x 400H x 180D / 21L

#### Construction

2 piece, bowls & drainer seam welded

#### Material

304 grade, 18/10 polished stainless steel (0.8mm thick)

#### Installation

Inset recommended.

#### Fixings

Adjustable clips and sealing foam supplied

#### Cut Out Template

1410 x 460 x 15mm radius

#### Min Cabinet Size

800mm

#### Tap holes

Available 0 or 1 tap hole (specify when ordering)

#### Waste fittings

2 x 90mm basket wastes included

#### Overflow

Not available

#### Carton Size

1440 x 490 x 200mm

#### Weight

10.0kg

#### Warranty

Lifetime manufacturer's warranty (refer to oliverisinks.com)

For more information call **1300 13 7465** or visit **www.oliverisinks.com**

