

Code EP6004SX– 60cm Fan Forced Oven



OVEN LIGHT

The oven light will automatically turn on once any function is selected, helps to monitor the progress of your cooking.



FAN FORCED COOKING

For the ultimate roast or perfect batch of pastries. The element surrounding the fan delivers even heat for even cooking results, approx. 160°C - 180°C is recommended



FAN GRILL

This function is perfect for fish, chicken Fillets or meat Cutlets. The door can be left closed whilst grilling and Browning will occur from the top element. The fan Circulates the heat for all over cooking.



FULL GRILL

The perfect option for quick grilling. Toast your favourite meals or finish off the tops of your recipes.



DEFROST

In defrost mode, no heating elements are used. Only the fan is activated to circulate air inside the oven for defrosting and not cooking the food.

FEATURES

- + 5 multi-functions
 - Oven light
 - Fan forced
 - Fan grill
 - Full grill
 - Defrost
- + 65L net capacity oven volume
- + 120 minute auto-stop timer
- + Telescopic Runner
- + Triple glazed Removable door
- + Contained cavity cooling + tangential cooling fan
- + Stainless steel Control panel
- + Under-bench or wall oven installation

CLEANING AND MAINTENANCE

Easy clean **AAA** grade enamel interior.

Clean stainless steel using only recommended stainless steel cleaning products.

No abrasives, corrosive detergents, bleaches or acids not required for cleaning the oven.

TRIPLE GLAZED EASILY REMOVABLE DOOR

This oven is equipped with a triple glazed glass door, ensuring minimal heat will escape during the cooking process. Also to ensure a hassle free clean, the oven door can be easily removed by simply unclipping the inner glass.

CAVITY COOLING SYSTEM

To ensure that control knobs are constantly cool and surrounding cupboards are protected, the EP6004SX oven has a contained cavity cooling system with internal cooling fan.

ELECTRICAL REQUIREMENTS & INSTALLATION:

- This oven can be connected to a 10 AMP wiring connection.
- Oven is supplied with an Australian approved 15 AMP plug.
- For more information please refer to a qualified electrician.

VOLTAGE: 220 – 240V

POWER CONSUMPTION

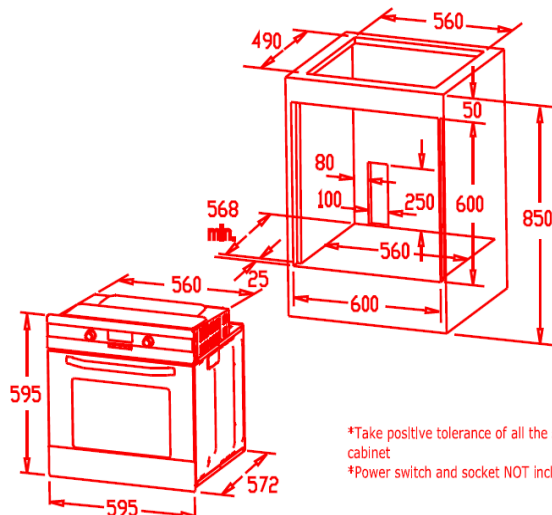
MAX 2.1Kw

NET WEIGHT: 34.0kg

GROSS WEIGHT: 36.0kg

OVEN CAPACITY: 65L net capacity oven volume

PRODUCT INFORMATION



*Take positive tolerance of all the size in the cabinet

*Power switch and socket NOT included

